

## B\_(X)T-1W Series

1W, FIXED INPUT, ISOLATED & UNREGULATED  
SINGLE OUTPUT DC-DC CONVERTER  
ULTRAMINIATURE SMD PACKAGE

### FEATURES

- Small Footprint
- SMD Package Style
- 1KVDC Isolation
- Temperature Range: -40°C ~ +85°C
- Industry Standard Pinout
- No Heatsink Required
- High Power Density
- Internal SMD construction
- No External Component Required
- RoHS Compliance

### APPLICATIONS

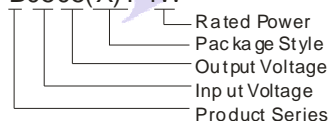
The B\_(X)T-1W series are specially designed for applications where a group of polar power supplies are isolated from the input power supply in a distributed power supply system on a circuit board. These products apply to:

- 1) Where the voltage of the input power supply is fixed (voltage variation  $\leq \pm 10\%$ );
- 2) Where isolation is necessary between input and output (isolation voltage  $\leq 1000\text{VDC}$ );
- 3) Where the regulation of the output voltage and the output ripple noise are not demanding.

Such as: purely digital circuits, ordinary low frequency analog circuits, and IGBT power device driving circuits.

### MODEL SELECTION

#### B0505(X)T-1W



### MORNSUN Science & Technology Co.,Ltd.

Address: 2th floor 6th building, Huangzhou Industrial District, Guangzhou, China  
Tel: 86-20-38601850  
Fax: 86-20-38601272  
[Http://www.mornsun-power.com](http://www.mornsun-power.com)

### PRODUCT PROGRAM

Part Number	Input		Output			Efficiency (% , Typ.)	Certificate
	Voltage (VDC)		Voltage (VDC)	Current (mA)			
	Nominal	Range		Max.	Min.		
B0303(X)T-1W	3.3	3.0-3.6	3.3	303	30	73	UL
B0305(X)T-1W			5	200	20	74	UL
B0312(X)T-1W			12	84	9	78	
B0324(X)T-1W			24	42	4	78	
B0503(X)T-1W	5	4.5-5.5	3.3	303	30	72	
B0505(X)T-1W			5	200	20	77	UL CE
B0509(X)T-1W			9	111	12	76	UL CE
B0512(X)T-1W			12	84	9	79	UL CE
B0515(X)T-1W			15	67	7	78	UL CE
B0524(X)T-1W			24	42	4	79	
B1203(X)T-1W	12	10.8-13.2	3.3	303	30	71	
B1205(X)T-1W			5	200	20	69	UL CE
B1209(X)T-1W			9	111	12	73	UL CE
B1212(X)T-1W			12	84	9	73	UL CE
B1215(X)T-1W			15	67	7	74	UL CE
B1224(X)T-1W			24	42	4	79	
B1515(X)T-1W	15	13.5-16.5	15	67	7	76	
B2403(X)T-1W	24	21.6-26.4	3.3	300	30	69	
B2405(X)T-1W			5	200	20	70	
B2409(X)T-1W			9	110	11	72	
B2412(X)T-1W			12	83	8	75	
B2415(X)T-1W			15	67	7	76	
B2424(X)T-1W			24	42	4	77	

Note: 1. The B\_XT-1W series have no 3,6,7 pin, For example B0505XT-1W.  
2. B\_XT-1W series: UL-60950-1 pending.

### COMMON SPECIFICATIONS

Item	Test Conditions	Min.	Typ.	Max.	Units
Storage humidity				95	%
Operating temperature		-40		85	°C
Storage temperature		-55		125	
Temp. rise at full load			15	25	
Lead temperature	1.5mm from case for 10 seconds			300	
Cooling		Free air convection			
package material		Epoxy Resin (UL94-V0)			
Short circuit protection*				1	s
MTBF		3500			k hours
Weight			1.41		g

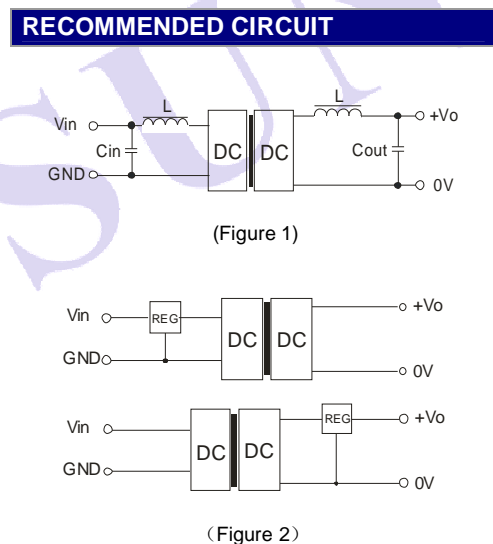
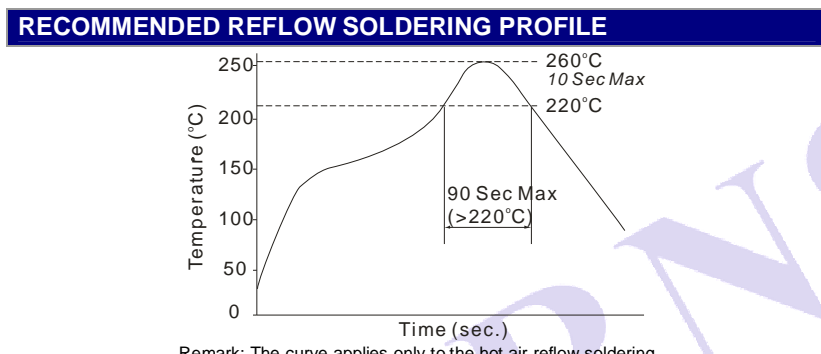
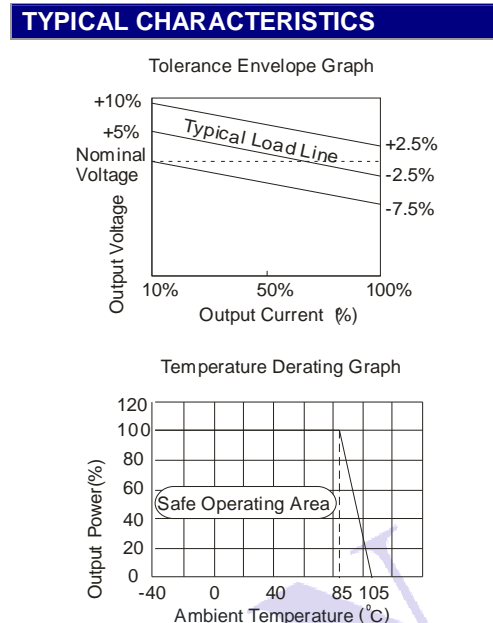
\*Supply voltage must be discontinued at the end of short circuit duration.

### ISOLATION SPECIFICATIONS

Item	Test Conditions	Min.	Typ.	Max.	Units
Isolation voltage	Tested for 1 minute and 1mA max	1000			VDC
Isolation resistance	Test at 500VDC	1000			MΩ

OUTPUT SPECIFICATIONS						
Item	Test Conditions		Min	Typ.	Max	Units
Output power			0.1		1	W
Line regulation	For Vin change of ±1%	(3.3V output)			±1.5	%
		(Others output)			±1.2	
Load regulation	10%to100% load (3.3V output)			15	20	%
	10%to100% load (5V output)			12.8	15	
	10%to100% load (9V output)			8.3	10	
	10%to100% load (12V output)			6.8	10	
	10%to100% load (15V output)			6.3	10	
	10%to100% load (24V output)			5	10	
Output voltage accuracy			See tolerance envelope graph			
Temperature drift	100% full load				±0.03	%/°C
Output ripple & Noise*	20MHz Bandwidth			50	75	mVp-p
Switching frequency	Full load, nominal input (5V/12V)			100		kHz
	Full load, nominal input (24V)			500		

\*Test ripple and noise by "parallel cable" method. See detailed operation instructions at Testing of Power Converter section, application notes.



### APPLICATION NOTE

**1) Requirement on output load**

To ensure this module can operate efficiently and reliably, During operation, the minimum output load **could not be less than 10% of the full load**. If the actual output power is very small, please connect a resistor with proper resistance at the output end in parallel to increase the load, or use our company's products with a lower rated output power (B\_(X)T-W2 series).

**2) Recommended testing circuit**

If you want to further decrease the input/output ripple, an "LC" filtering network may be connected to the input and output ends of the DC/DC converter, see (Figure1). It should also be noted that the inductance and the frequency of the "LC" filtering network should be staggered with the DC/DC frequency to avoid mutual interference. However, the capacitance of the output filter capacitor must be proper. If the capacitance is too big, a startup problem might arise. For every channel of output, provided the safe and reliable operation is ensured, the greatest capacitance of its filter capacitor sees (Table 1).

EXTERNAL CAPACITOR TABLE (TABLE 1)

Vin (VDC)	Cin (μF)	Single Vout (VDC)	Cout (μF)
3.3/5	4.7	3.3/5	10
12	2.2	9	4.7
24	0.47	12	2.2
-	-	15	1
-	-	24	0.47

It's not recommended to connect any external capacitor in the application field with less than 0.5 watt output.

**3) Output Voltage Regulation and Over-voltage Protection Circuit**

The simplest device for output voltage regulation, over-voltage and over-current protection is a linear voltage regulator with overheat protection that is connected to the input or output end in series (Figure2).

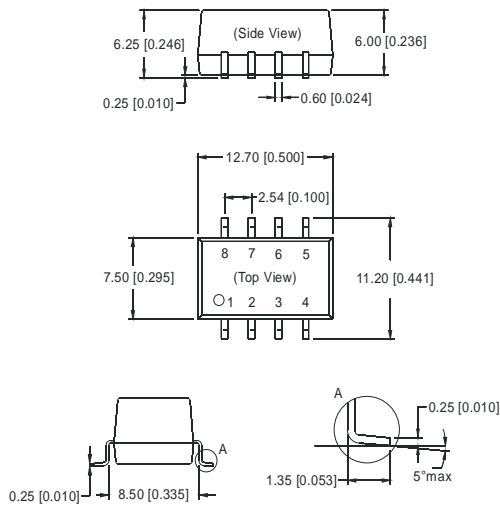
**4) Overload Protection**

Under normal operating conditions, the output circuit of these products has no protection against overload. The simplest method is to connect a self-recovery fuse in series at the input end or add a circuit breaker to the circuit.

**5) No parallel connection or plug and play**

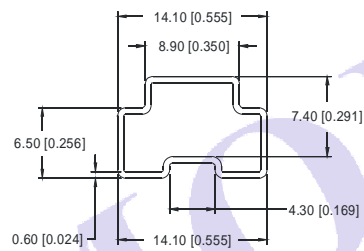
# OUTLINE DIMENSIONS & FOOTPRINT DETAILS

## MECHANICAL DIMENSIONS



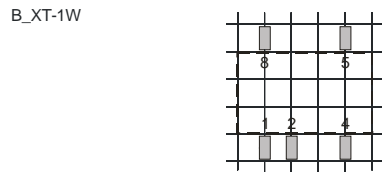
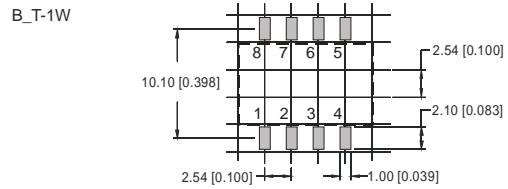
Note:  
 Unit: mm[inch]  
 Pin section tolerances:  $\pm 0.10\text{mm}[\pm 0.004\text{inch}]$   
 General tolerances:  $\pm 0.25\text{mm}[\pm 0.010\text{inch}]$

## TUBE OUTLINE DIMENSIONS



Note:  
 Unit: mm[inch]  
 General tolerances:  $\pm 0.5\text{mm}[\pm 0.020\text{inch}]$   
 L=540mm[21.260inch] Devices per tube quantity: 40pcs  
 L=220mm[8.661inch] Devices per tube quantity: 15pcs

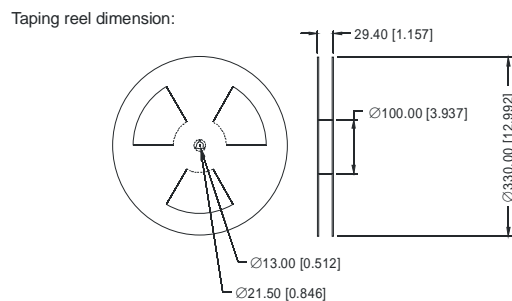
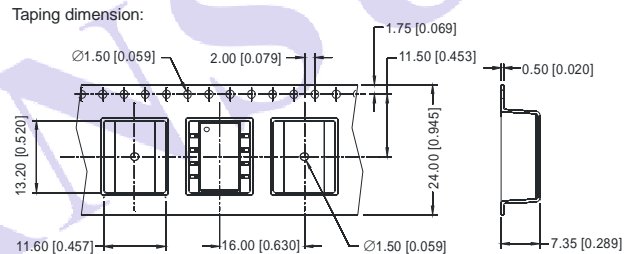
## RECOMMENDED FOOTPRINT



FOOTPRINT DETAILS		
Pin	B_T-1W	B_XT-1W
1	GND	GND
2	Vin	Vin
4	0V	0V
5	+Vo	+Vo
3,6,7	NC	No Pin
8	NC	NC

NC: No Connection

## REEL PACKING OUTLINE DIMENSIONS



Note:  
 Unit: mm[inch]  
 General tolerances:  $\pm 0.5\text{mm}[\pm 0.020\text{inch}]$   
 Devices per reel quantity: 500pcs

### Note:

1. Operation under minimum load will not damage the converter; However, they may not meet all specification listed, and that will reduce the life of product.
2. All specifications measured at  $T_a=25^\circ\text{C}$ , humidity<75%, nominal input voltage and rated output load unless otherwise specified.
3. Only typical models listed, other models may be different, please contact our technical person for more details.
4. In this datasheet, all the test methods of indications are based on corporate standards.